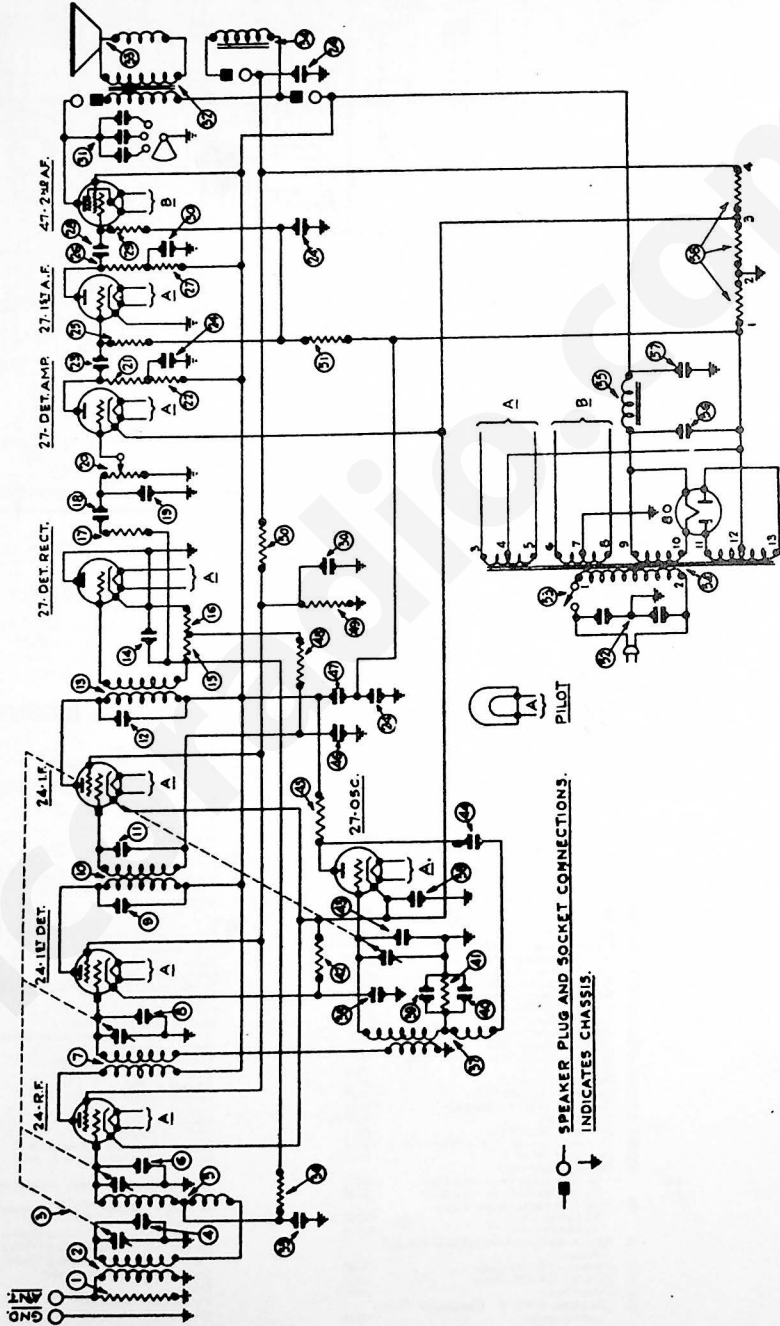


Models 90 and 90-A

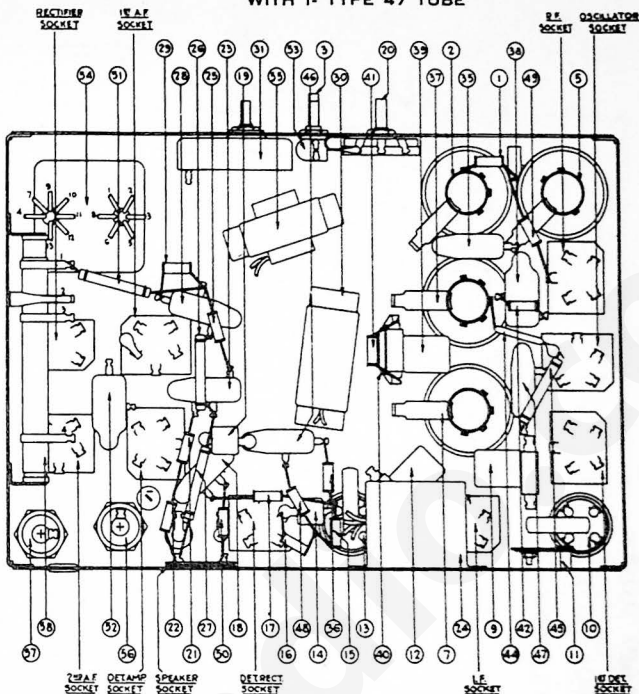
ABOVE SERIAL NO. 237,001
WITH 1-TYPE 47 TUBE



Models 90 and 90-A

ABOVE SERIAL No. 237.001

WITH 1- TYPE 47 TUBE



REPLACEMENT PARTS—MODELS 90 and 90-A RECEIVERS

(Above Serial No. 237.001)

No. on Figs. 3 and 4	Description	Part No.	No. on Figs. 3 and 4	Description	Part No.
①	Resistor (10,000 ohms)	4412	⑩	By-Pass Condenser (.09 mfd.) double	4989-G
②	First R. F. Transformer	03360	⑪	Compensating Condenser	03060
③	Gang Condenser (50-60 cycles)	03001	⑫	Condenser (.0007 mfd.) Assembled	03060
④	Gang Condenser (25-40 cycles)	03078	⑬	Resistor (51,000 ohms)	4518
⑤	Compensating Condenser (part of gang condenser assembly)		⑭	Resistor (5,000 ohms)	5310
⑥	Second R. F. Transformer	03014	⑮	Compensating Condenser (part of tuning condenser assembly)	
⑦	Compensating Condenser (part of gang condenser assembly)		⑯	Condenser (110 mmf.)	4519
⑧	First Detector Transformer	03015	⑰	Resistor (51,000 ohms)	4237
⑨	Compensating Condenser (part of gang condenser assembly)		⑱	By-Pass Condenser (.05 mfd.)	3615-U
⑩	Compensating Condenser (First I. F. Primary)	03315	⑲	By-Pass Condenser (.05 mfd.)	3615-E
⑪	First I. F. Transformer	03009	⑳	Resistor (490,000 ohms)	4517
⑫	Compensating Condenser (First I. F. Secondary)	03315	㉑	Resistor (70,000 ohms)	5385
⑬	Compensating Condenser (Second I. F. Primary)	03317	㉒	Resistor (25,000 ohms)	4518
⑭	Second I. F. Transformer	03345	㉓	Resistor (240,000 ohms)	3768
⑮	Condenser (110 mmf.)	4519	㉔	Condenser (.015 mfd.) double	3793-E
⑯	Resistor (51,000 ohms)	4518	㉕	On-Off Switch	4095
⑰	Resistor (51,000 ohms)	4518	㉖	Power Transformer (50-60 cycles)	5362
⑱	Resistor (59,000 ohms)	4411	㉗	Power Transformer (25-40 cycles)	5363
⑲	By-Pass Condenser (.01 mfd.)	3903-M	㉘	Power Transformer (50-60 cycles, 220 volts)	5364
⑳	Condenser (.00025 mfd.)	3082	㉙	Choke	4951
㉑	Volume Control	5366	㉚	Condenser (.6 mfd.) Electrolytic type (50-60 cycles)	4916
㉒	Resistor (51,000 ohms)	4518	㉛	Condenser (10 mfd.) Electrolytic type (25-40 cycles)	5142
㉓	Resistor (70,000 ohms)	5385	㉜	Condenser (.6 mfd.) Electrolytic type (50-60 cycles)	4916
㉔	By-Pass Condenser (.01 mfd.)	3903-M	㉝	Condenser (10 mfd.) Electrolytic type (25-40 cycles)	5142
㉕	Condenser (1-1 mfd., 1-13 mfd., 2-25 mfd.)	03325	㉞	B. C. Resistor	5365
㉖	Resistor (240,000 ohms)	4410		Line Cord and Plug	L-943
㉗	Resistor (25,000 ohms)	3656		Tube Shield (Large)	03378
㉘	Resistor (25,000 ohms)	3656		Tube Shield (27 type)	5387
㉙	By-Pass Condenser (.01 mfd.)	3903-P		Pilot Bulb	3483
㉚	Resistor (240,000 ohms)	4410		Pilot Bracket Complete	03081-A
㉛	Condenser (.25 mfd., 1 mfd.)	03337		Knob (Large)	4958-A
㉜	Tone Control	4037-A		Knob (Small)	4959-A
㉝	Output Transformer	2678		Knob (Switch)	4290-A
㉞	Voice Coil Assembly and Cone: H ₁ (Large Cone)	02997		Spring (For small knobs)	4147
㉟	K ₂ (Small Cone)	02996		Spring (For large knobs)	5262
㊱	Speaker Field (Assembled with pot and frame)			Grid Clip	4897
㊲	By-Pass Condenser (.05 mfd.)	3615-W		Five Prong Socket Assembly	4956
㊳	Resistor (490,000 ohms)	4517		Four Prong Socket Assembly	4965
㊴	Oscillator Coil	68016		Volume Control Insulator	4092
				Dial	5021
				Light Shield Screen	4937
				Base	6009